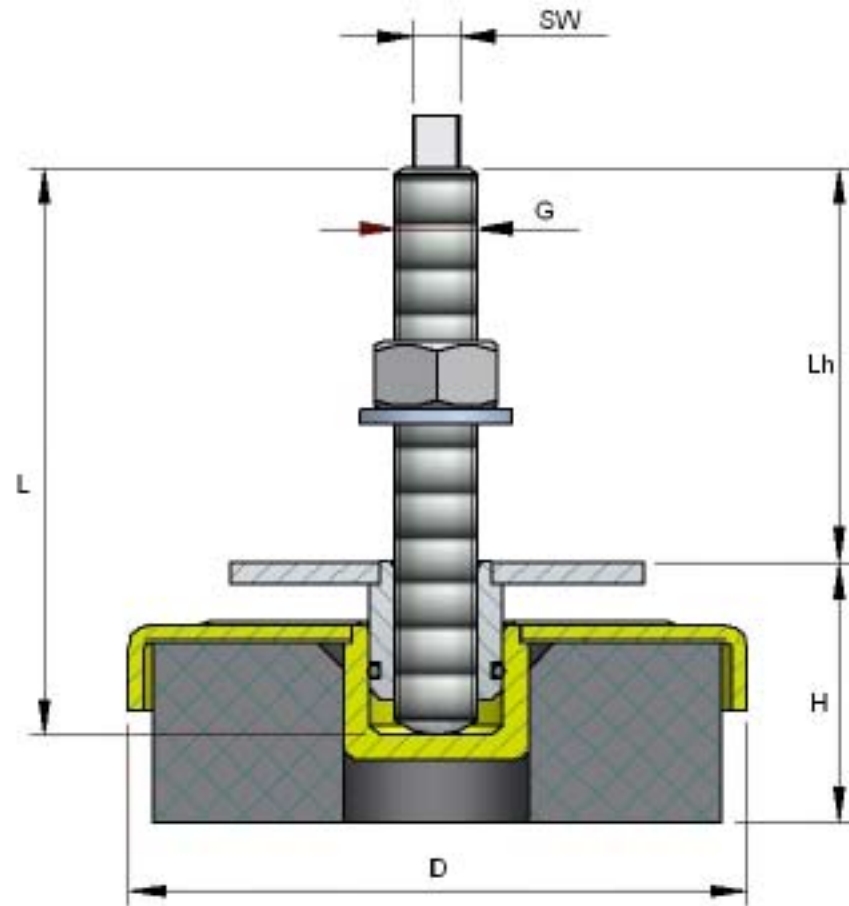
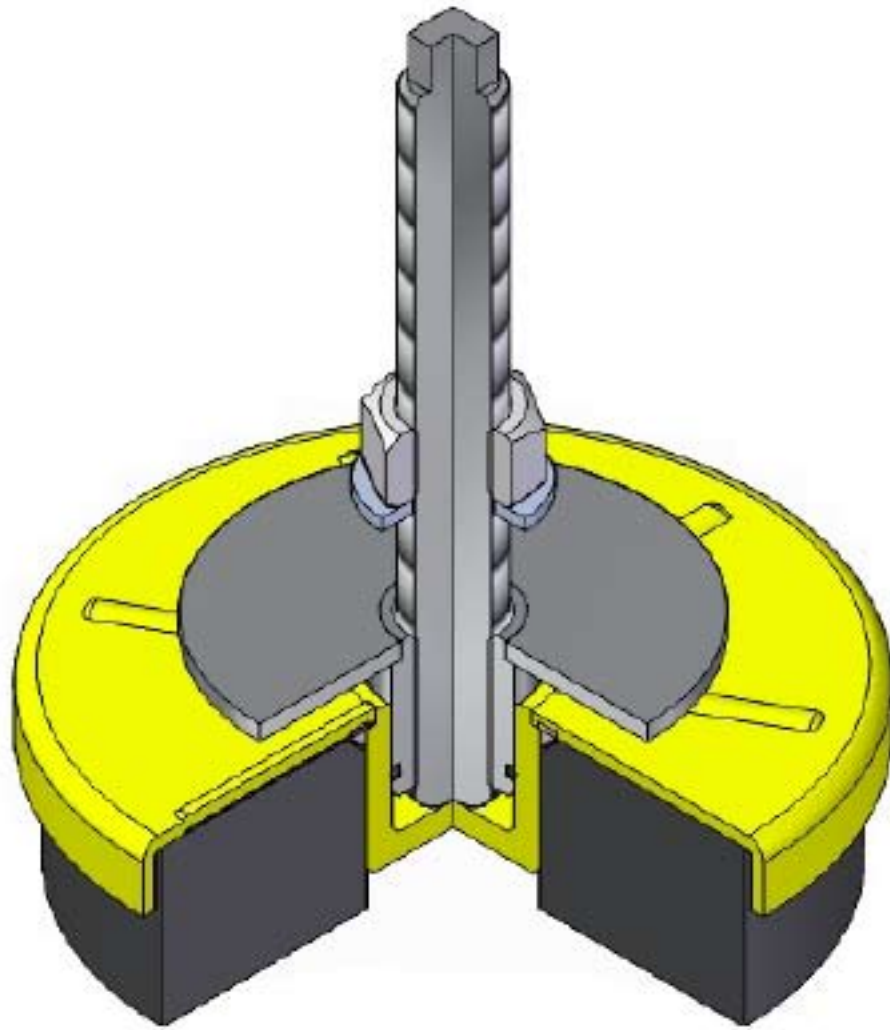


MFL



	D	H	G	L	Lh	SW
MFL-1	80	38-48	M12x1,5	100	75-65	8
MFL-2	120	43-55	M16x1,5	120	80-68	9
MFL-3	160	48-53	M20x1,5	170	125-110	12

	Static Load	Dinamic Load		
		200 cycle/min.	160 cycle/min.	<125 cycle/min.
MFL-1	6000	1200	1400	2000
MFL-2	15000	2500	3500	4000
MFL-3	30000	7000	10000	25000