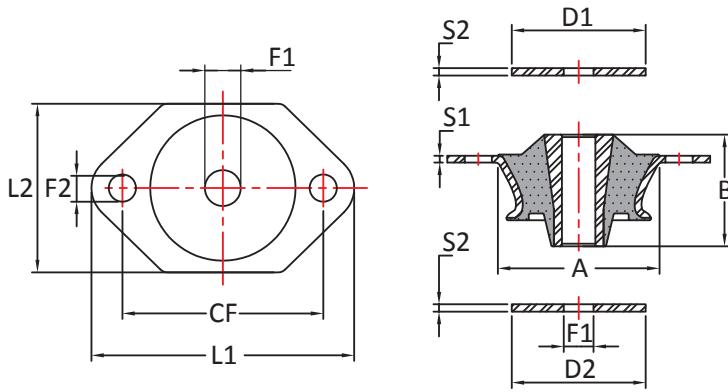
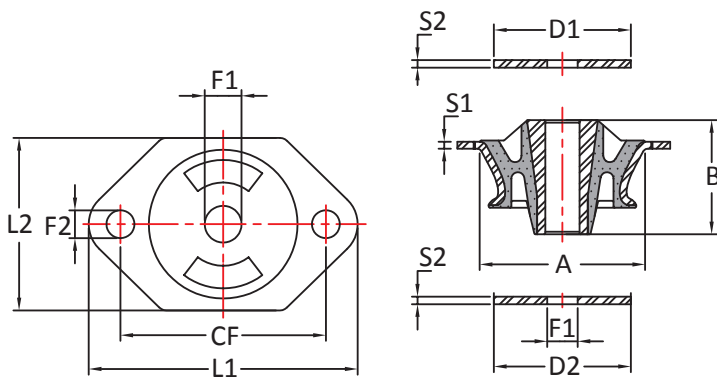
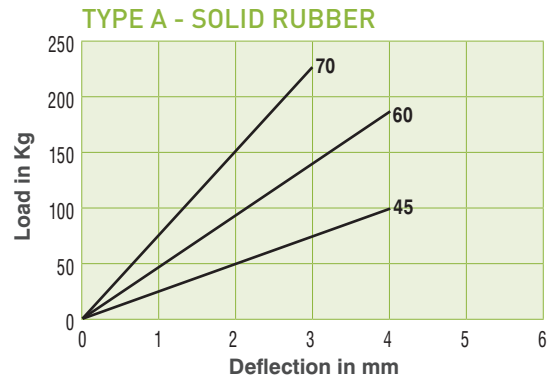


Cone Mountings

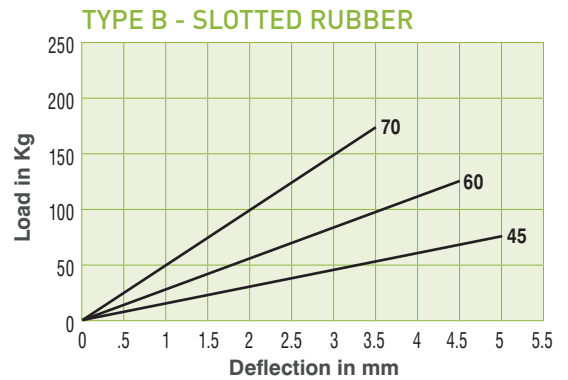
2 hole



Type A – Solid Rubber



Type B – Slotted Rubber



Part No	Type	A	B	CF	D1	D2	F1	F2	L1	L2	S1	S2
CM6051/12A	A	60	45	78 - 84	54	54	12	11.0	106	68	2.5	3.0
CM6051/16A	A	60	45	78 - 84	54	54	16	11.0	106	68	2.5	3.0
CM6051/12B	B	60	45	78 - 84	54	54	12	11.0	106	68	2.5	3.0
CM6051/16B	B	60	45	78 - 84	54	54	16	11	106	68	2.5	3.0

Max compression load in Kg deflection in mm.

This information is for guidance only. Customers are recommended to contact us for further technical information on products and applications. We reserve the right to alter specifications or withdraw products without notice.