

Multi Directional Mountings



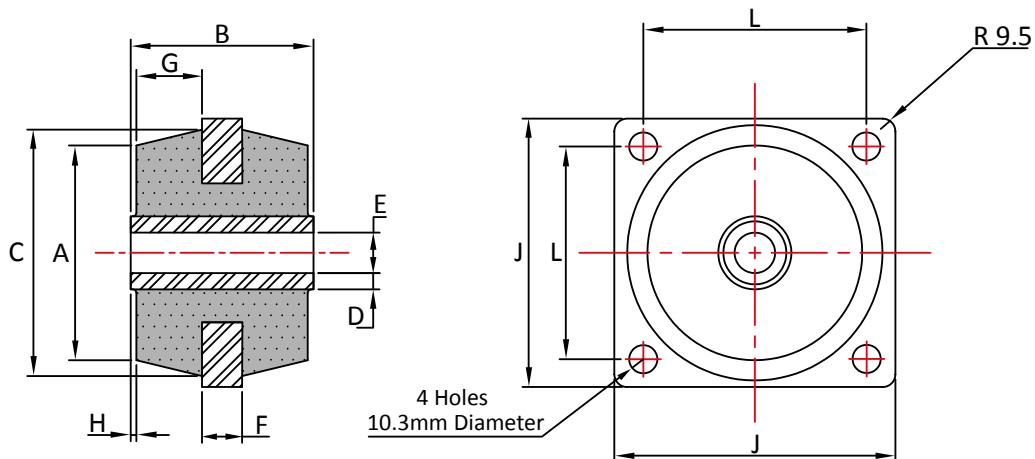
Multi Directional mountings are used to accommodate forces in both the upwards & downwards direction (i.e. positive and negative forces), and are ideal for applications such as Gearbox mountings where the torque applied during forward and reverse situations needs to be accommodated. Mountings should be used with Top & Bottom overload washers to provide a failsafe mounting arrangement.

Advantages:

- Multi Directional Isolation
- Heavy Duty, Robust Design
- Ideal for Mobile Applications
- ROPS & FOPS (subject to approval)

Applications:

- Vehicle Cabs
- Gearbox and Transmission Mountings
- Military & MOD
- Construction & Earthmoving



Part No	A	B	C	D	E	F	G	H	J	L	Max Load (kg)			Deflection
											45 SH A	60 SH A	70 SH A	mm
CM890	69	54	79	5	16	12	19.7	1.4	89	70	380	735	1080	5

Max compression load in Kg deflection in mm.

This information is for guidance only. Customers are recommended to contact us for further technical information on products and applications. We reserve the right to alter specifications or withdraw products without notice.