

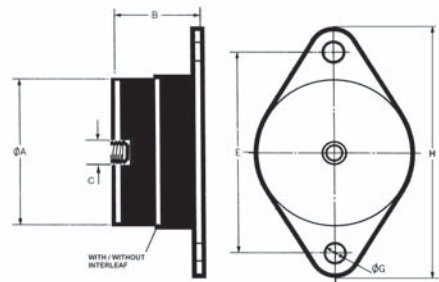
## Flanged Circular Mounting

**Flanged Circular Mountings** are a simple, low cost, compression mounting and provide good levels of vibration reduction. The mountings are produced with & without an interleaf metal. The interleaf metal provides increased load capacity.

**Applications include:-** Generating Sets, Pumps, Fans, Compressors, Vibratory Screens, and Processing Equipment etc.



PART	A	B	C	E	G	H	60 SHORE	
							LOAD	DEF.
FCM2	75.0	50.0	M12*	100.0	12.5	127.0	250 Kg	5mm
FCM2I	75.0	50.0	M12*	100.0	12.5	127.0	500 Kg	5mm
FCM3	81.0	50.0	M12*	112.0	12.5	140.0	400Kg	5mm
FCM3I	81.0	50.0	M12*	112.0	12.5	140.0	750Kg	5mm
FCM5	125.0	64.0	M20	176-184	18 x 23	220.0	1200Kg	5mm
FCM5I	125.0	64.0	M20	176-184	18 x 23	220.0	2000 Kg	4mm

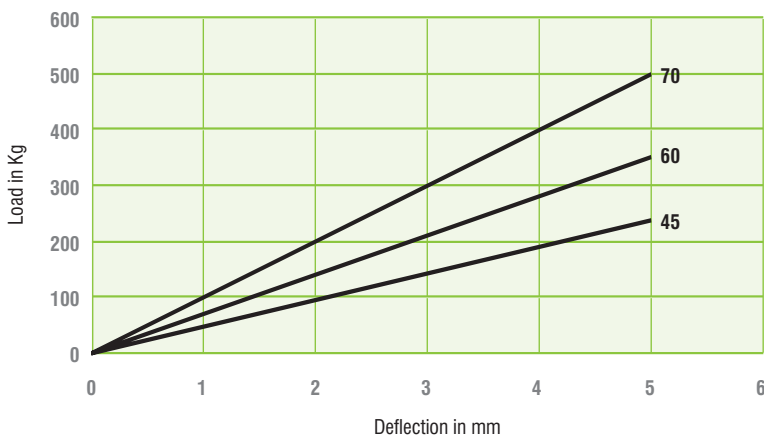
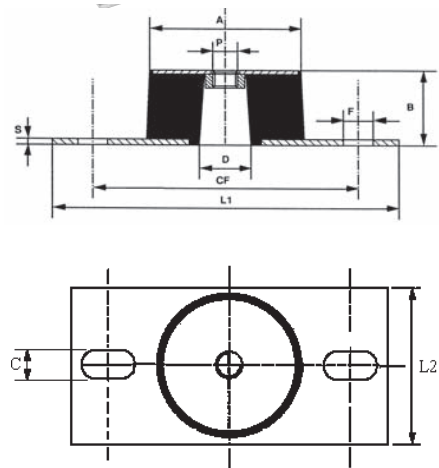


**Note:**

\* Mounting can be supplied with stud

'I' Denotes with Interleaf

PART	A	B	C	D	F	CF	L1	L2	P	S
FCM763812	76.0	39.0	14.0	25.0	28.0	99-128	165.0	83.0	M12	3.0



DATA SHEET FCM 2011. Max compression load in Kg deflection in mm.

This information is for guidance only. Customers are recommended to contact us for further technical information on products and applications. We reserve the right to alter specifications or withdraw products without notice.